

# Door Systems

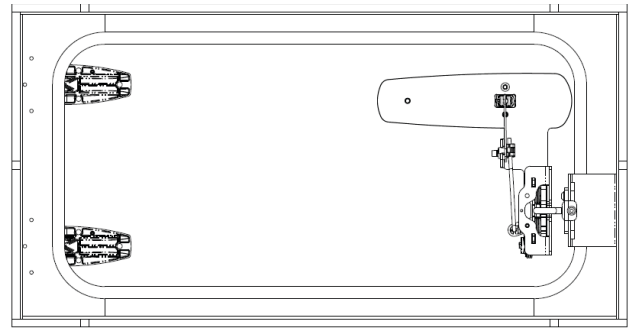
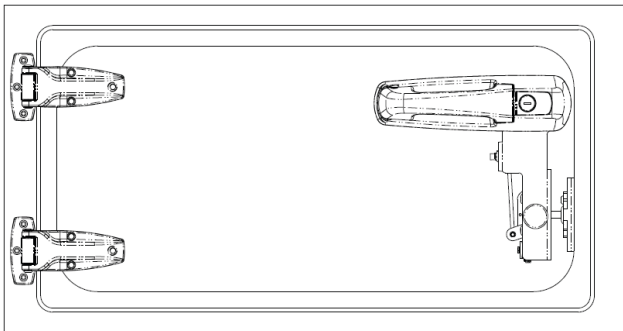
Providing the Big  
Picture Solutions!



## Door System 1:

Remote Actuation Exterior Pull Handle, Single Rotor Latch with On-Latch  
Inside Release Lever:

- ◆ 020-0850 e-LOCK Pull Handle
- ◆ 050-1900 8mm Single Rotary Latch with On-Latch Inside Release
- ◆ 070-1000 8mm Hoop Strike
- ◆ Rod Connection

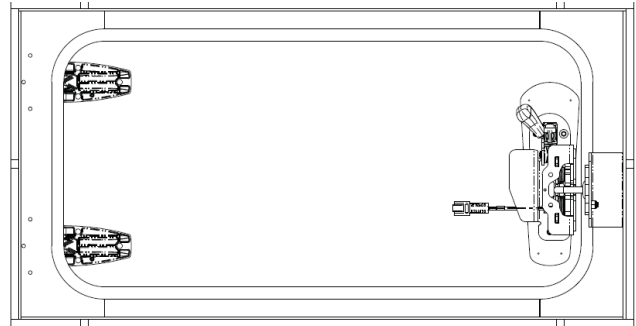
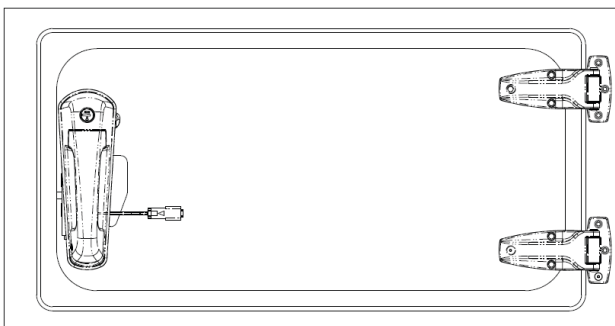


---

## Door System 2:

Direct Actuation Exterior Pull Handle, Single Rotor Latch with On-Latch  
Inside Release Lever and State Sensing:

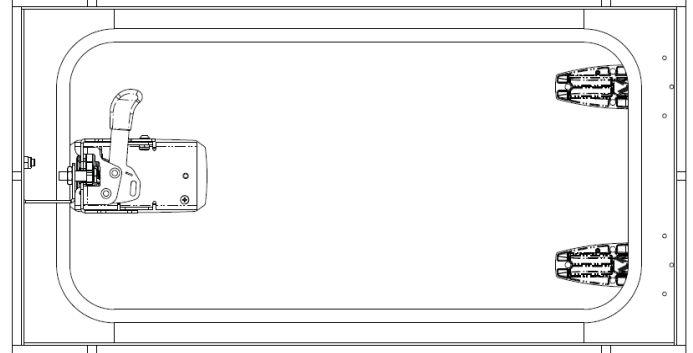
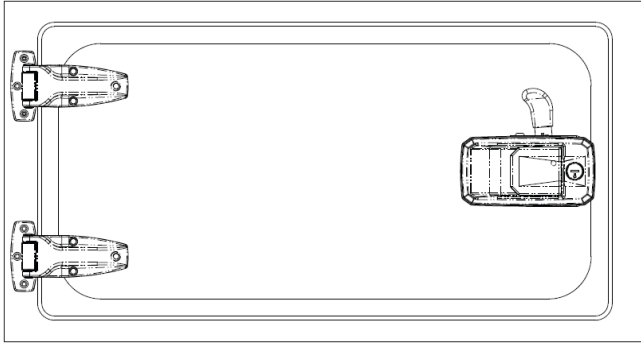
- ◆ 020-0800 Pull Handle
- ◆ 050-1900 8mm Single Rotary Latch with On-Latch Inside Release and State Sensing
- ◆ 070-1000 8mm Hoop Strike
- ◆ Mounting Bracket with Inside Door Closing Grip Surface



## Door System 3:

Direct Actuation Exterior Paddle Handle, Two Rotor Latch with On-Latch Inside Release Lever:

- ◆ 030-7150 Rectangular Paddle Handle
- ◆ 050-0700 12mm Single Rotary Latch with On-Latch Inside Release
- ◆ 070-0400 12mm Striker

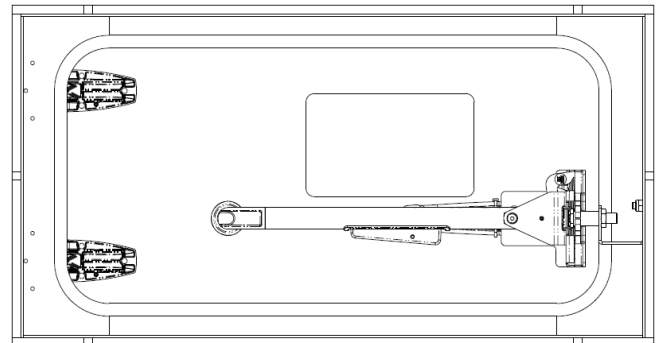
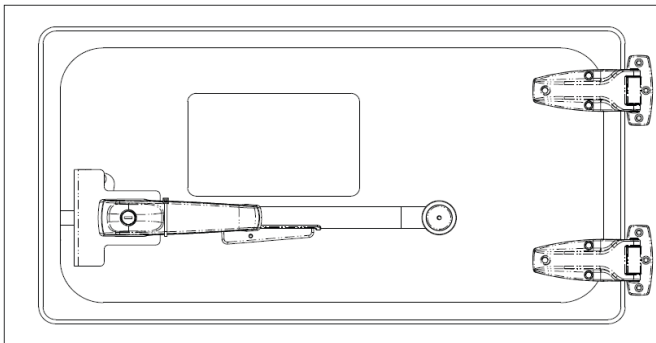


---

## Door System 4:

Direct Actuation Exterior Push Button Handle, Rotary Latch with Remote Squeeze Release and Tube

- ◆ 040-0600 TriMount Push Button Handle
- ◆ 050-1900 8mm Single Rotary Latch
- ◆ 020-7300 Remote Squeeze Release with 25mm Tube
- ◆ Rod Connection



TriMark Corporation  
500 Bailey Avenue  
PO Box 350  
New Hampton, Iowa  
50659 United States  
Tel: +1 641-394-3188  
Fax: +1 641-394-2392  
1-800-447-0343  
www.trimarkcorp.com

TriMark Europe  
Cedar Court  
Walker Road  
Bardon Hill  
Coalville LE67 1TU  
United Kingdom  
Tel: +44 (0) 1530 512460  
Fax: +44 (0) 1530 512461  
www.trimarkeu.com

TriMark China  
Building A5 Jingwu Road  
Xuzhou Economic  
Development Zone  
Xuzhou, Jiangsu  
221004 PR China  
Tel: +86 516 8773 0018  
Fax: +86 516 8773 0058  
www.trimarkcn.com